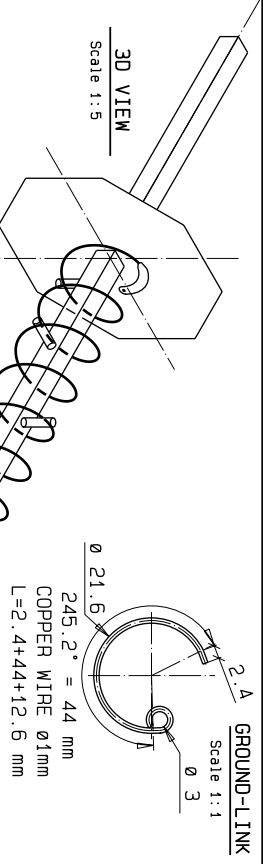
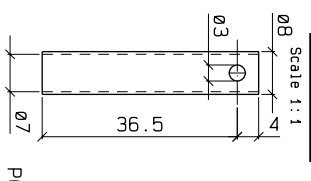


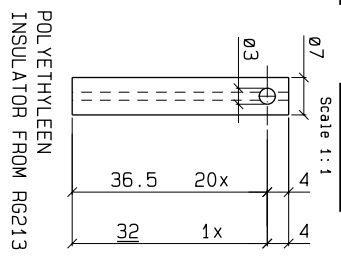
GROUND-LINK



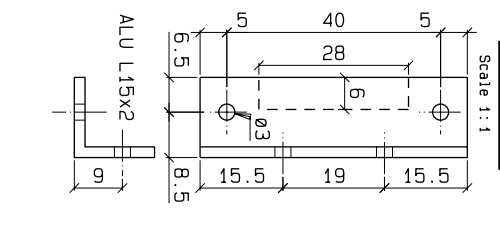
DRILL TEMPLATE



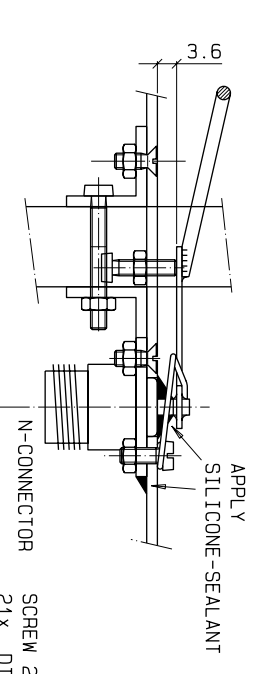
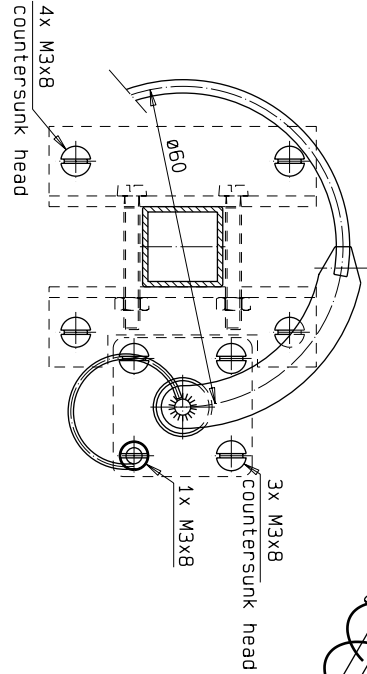
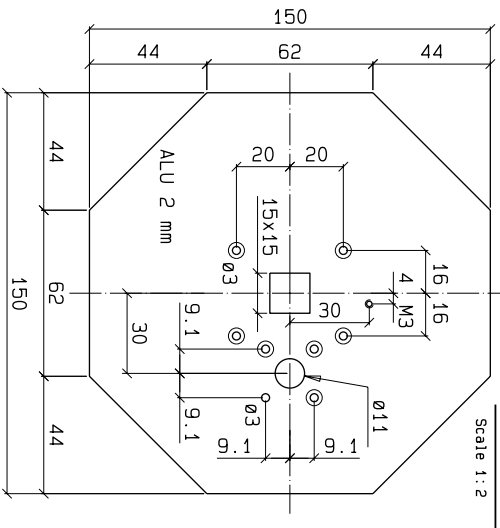
STAYS



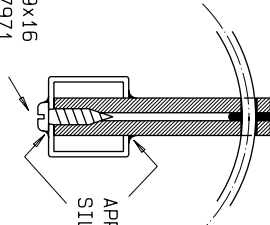
REFLECTOR MOUNTINGS



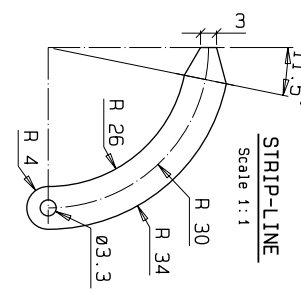
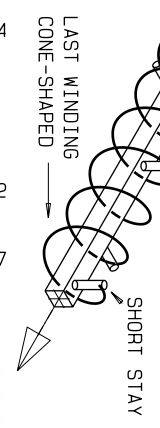
REFLECTOR



SCREW 2.9x16
21x DIN7971
STAINL.ST. OR
NICKLE-PLATED

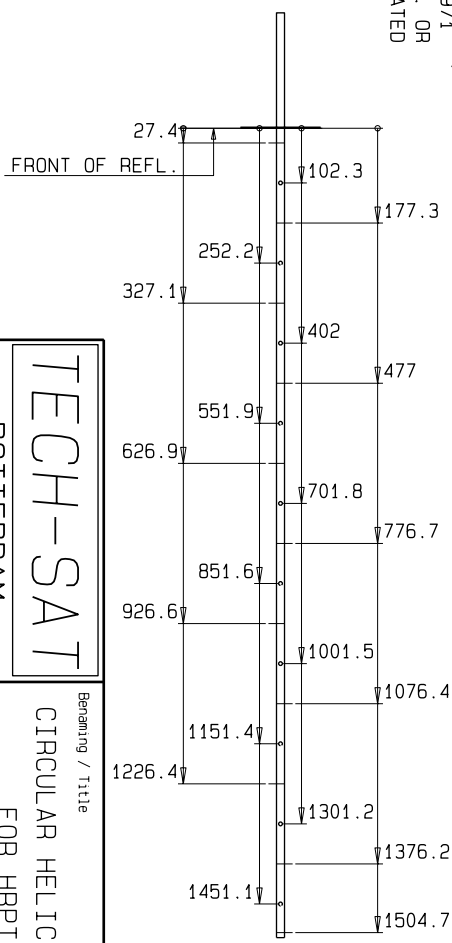


HELIX FROM NICKLE-PLATED
COPPER WIRE 2.76 mm
35 TURNS 60 mm c.t.c.
TOTAL LENGTH 6770 mm
PITCH 42.8 mm c.t.c.

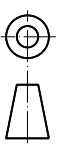


OVERVIEW BOOM
Scale 1:10

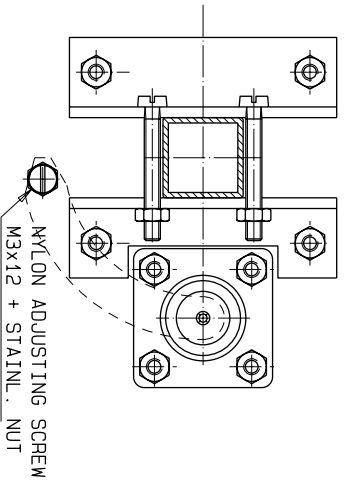
HOLES IN BOOM ALU
SQUARE TUBE 15x1mm



Get./Drawn by	A. v. Belle
Schaal	1: X (A3)
Scale	
Datum	09-04-1998
Date	
Tekening/Drawing no	00-04
Massa/Mass	add. 1 [kg]



REAR VIEW OF REFLECTOR



TECH-SAT
ROTTERDAM

Benaming / Title
**CIRCULAR HELICAL BEAM
FOR HRPT
(RHCP)**

Kl122000	Revision	C
Version		

Auteursrechten voorbehouden volgens de wet
Copyright reserved according to the law